



4K HDR
HDCP2.2



SY-12H-4K22

4K UHD (HDR10 6G) 1 in 2 out HDMI Dual Scaler

OPERATION MANUAL

DISCLAIMERS

The information in this manual has been carefully checked and is believed to be accurate. CYP (UK) Ltd assumes no responsibility for any infringements of patents or other rights of third parties which may result from its use.

CYP (UK) Ltd assumes no responsibility for any inaccuracies that may be contained in this document. CYP (UK) Ltd also makes no commitment to update or to keep current the information contained in this document.

CYP (UK) Ltd reserves the right to make improvements to this document and/or product at any time and without notice.

COPYRIGHT NOTICE

No part of this document may be reproduced, transmitted, transcribed, stored in a retrieval system, or any of its part translated into any language or computer file, in any form or by any means—electronic, mechanical, magnetic, optical, chemical, manual, or otherwise—without express written permission and consent from CYP (UK) Ltd.

© Copyright 2011 by CYP (UK) Ltd.

All Rights Reserved.

Version 1.1 August 2011

TRADEMARK ACKNOWLEDGMENTS

All products or service names mentioned in this document may be trademarks of the companies with which they are associated.

SAFETY PRECAUTIONS

Please read all instructions before attempting to unpack, install or operate this equipment and before connecting the power supply.

Please keep the following in mind as you unpack and install this equipment:

- Always follow basic safety precautions to reduce the risk of fire, electrical shock and injury to persons.
- To prevent fire or shock hazard, do not expose the unit to rain, moisture or install this product near water.
- Never spill liquid of any kind on or into this product.
- Never push an object of any kind into this product through any openings or empty slots in the unit, as you may damage parts inside the unit.
- Do not attach the power supply cabling to building surfaces.
- Use only the supplied power supply unit (PSU). Do not use the PSU if it is damaged.
- Do not allow anything to rest on the power cabling or allow any weight to be placed upon it or any person walk on it.
- To protect the unit from overheating, do not block any vents or openings in the unit housing that provide ventilation and allow for sufficient space for air to circulate around the unit.

REVISION HISTORY

VERSION NO.	DATE	SUMMARY OF CHANGE
v1.00	20/06/2018	First release

CONTENTS

1. Introduction	6
2. Applications	6
3. Package Contents	6
4. System Requirements	7
5. Features	7
6. Operation Controls and Functions	8
6.1 Front Panel	8
6.2 Rear Panel.....	9
6.4 RS-232 Control.....	22
6.5 RS-232 Commands.....	23
7. Connection Diagram	36
8. Specifications.....	37
8.1 Technical Specifications	37
8.2 Video Specifications.....	38
8.3 Audio Specifications.....	41
8.4 Cable Specifications	41
9. Acronyms.....	42

1. INTRODUCTION

This HDMI 4K UHD Scaler with Test Patterns and Signal Event Automation is designed to upscale 1080p signals into 4K UHD (18Gbps) or downscale 4K UHD (18Gbps) signals into 1080p with synchronised digital audio output. A friendly and simple interface design allows the user to control the unit while viewing the OSD directly on the HDMI outputs. The input signal can be output to both HDMI outputs simultaneously with a different resolution on each or the unit can generate a test pattern at a preferred video resolution for easy on-site display testing and validation.

Additional functionality such as EDID and HDCP management, and basic signal event automation (via RS-232 or CEC) is also provided. This UHD Scaler is the best tool to use with your HD and UHD signals. This unit can be controlled easily by use of the front panel controls (with OSD) or by RS-232.

2. APPLICATIONS

- /// HDMI signal splitting
- /// On-site equipment testing
- /// Production testing
- /// R&D design and testing

3. PACKAGE CONTENTS

- /// 1×HDMI to Dual HDMI Scaler
- /// 1×5V/2.6A DC Power Adapter
- /// 2×3-pin Terminal Block to 9-pin D-sub Adapter Cable
- /// 1×Shockproof Feet (Set of 4)
- /// 1×Operation Manual

4. SYSTEM REQUIREMENTS

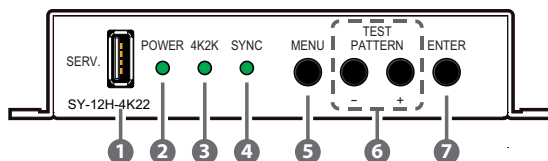
- /// HDMI input source equipment such as a media player, video game console or set-top box.
- /// HDMI receiving equipment such as HDTVs, monitors or audio amplifiers.
- /// The use of “Premium High Speed HDMI” cables is highly recommended.

5. FEATURES

- /// HDMI input and output with 18Gbps (600MHz) 4K UHD with HDR support
- /// DVI 1.0 compliant with the use of an HDMI-DVI adaptor
- /// HDCP 2.2 and HDCP 1.x compliant
- /// 1 HDMI input and 2 HDMI outputs
- /// Supports HDCP 2.2 to HDCP1.4 conversion
- /// HDMI signal bypass on both outputs or upscales 1080p signals to 4K on output B and downscales 4K signals to 1080p on output A
- /// Supports HD resolutions up to 3840×2160@60Hz (4:4:4, 8-bit)
- /// Supports 4K HDR at 24/30Hz (YUV 4:4:4) and 50/60Hz (YUV 4:2:0) with up to 12-bit colour
- /// Supports 16-bit Deep Colour up to 1080p@60Hz
- /// Supports pass-through of many audio formats including LPCM 2.0/5.1/7.1, Bitstream, and HD Bitstream
- /// Supports colour space conversion of 4K@50/60Hz (4:4:4, 8-bit) or 4K@any (10/12-bit) sources
- /// Integrated EDID and HDCP management
- /// Basic signal event automation (via RS-232 or CEC)
- /// Test pattern generation at selected resolutions for on-site display testing
- /// Controllable via front panel with OSD, and RS-232

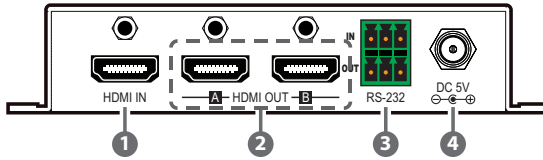
6. OPERATION CONTROLS AND FUNCTIONS

6.1 Front Panel



- 1 **SERV.:** This slot is reserved for firmware update and EDID upload use only.
- 2 **POWER LED:** This LED will illuminate to indicate the unit is on and receiving power.
- 3 **4K2K LED:** This LED will illuminate when the input source contains a 4K UHD signal.
- 4 **SYNC LED:** This LED will illuminate when the input source is sending signal.
- 5 **MENU Button:** Press to enter the OSD menu, or to back out from menu item.
- 6 **- & +/TEST PATTERN Buttons:** When the OSD menu is in use, press these buttons to move within the menu. Outside of the OSD, press these buttons together to instantly set the output timing to 1280x720@60Hz and display test patterns on both outputs.
- 7 **ENTER Button:** Press to confirm a selection within the OSD or to go deeper into a menu item.

6.2 Rear Panel



- 1 HDMI IN:** Connect to HDMI source equipment such as a media player, game console or set-top box.
- 2 HDMI OUT A~B:** Connect to HDMI TVs, monitors or amplifiers for digital video and audio output. Each output can display a different resolution with a choice between the HDMI source or a test pattern.
- 3 RS-232:** Connect the upper 3-pins directly to a PC, laptop or other serial control device to send RS-232 commands to control the unit. Connect the lower 3-pins directly to a serial controllable device to send signal event automation RS-232 commands to it.
- 4 DC 5V:** Plug the 5V DC power adapter into the unit and connect it to an AC wall outlet for power.

6.3 OSD Menu

All primary functions of this unit can be controlled by using the OSD (On Screen Display) which is activated by pressing the Menu button on the front of the unit. Use the + (PLUS), – (MINUS), and ENTER buttons to navigate the OSD menu. Press the Menu button to back out from any menu item and then press it again to close the menu.

MAIN MENU STRUCTURE
Output
EDID
HDCP
OSD
Test Pattern A
Test Pattern B
Information
Firmware Update
EDID Upload
Factory Setting

The individual functions of the OSD will be introduced in the following section. Items marked in **BOLD** are the factory default settings.

OUTPUT	
2nd Level	3rd Level
<i>Output A</i>	
Input 4K2K	PASS THROUGH
	Down Scaler 1080P
	Fix Colour YUV 4:2:0
	Fix Deep Colour 8 bit
	YUV 4:2:x to RGB
	Fix Colour RGB
<i>Output B</i>	
Input 1080P	PASS THROUGH
Input 1080P	Up Scaler 4K2K
	Up Scaler 4K2K YUV 4:2:0
Input 4K2K	PASS THROUGH
	Fix Colour YUV 4:2:0
	Fix Deep Colour 8 bit
	YUV 4:2:x to RGB
	Fix Colour RGB
<i>Up 4K2K Scaler Enhancement</i>	
Gain	Level 1 (Weak)
	Level 2
	LEVEL 3
	Level 4
	Level 5
	Level 6 (Strong)

Output A

- 1) **Input 4K2K:** Controls the scaling of 4K sources on Output A.
 - **Pass Through:** Will pass all 4K sources without modification.
 - **Down Scaler 1080P:** Will convert all 4K sources to 1080P at the same frame rate as the original.
 - **Fix Colour YUV 4:2:0:** Will convert 4K@50/60 (4:4:4) sources to the YUV 4:2:0 colour space.
 - **Fix Deep Colour 8 bit:** Will reduce any 4K sources with a bit depth above 8-bit to 8-bit colour.
 - **YUV 4:2:x to RGB:** Will convert any 4K source using the YUV 4:2:2 or 4:2:0 colour space to the RGB colour space.
 - **Fix Colour RGB:** Will convert any 4K source using the YUV colour space to the RGB colour space.

Output B

- 2) **Input 1080P:** Controls the scaling of 1080P sources on Output B.
 - **Pass Through:** Will pass 1080p sources without modification.
 - **Up Scaler 4K2K:** Will scale all 1080p sources to 4K(4:4:4) at the same frame rate.
 - **Up Scaler 4K2K YUV 4:2:0:** Will scale all 1080p@50/60Hz sources to 4K(4:2:0) at the same frame rate.
- 3) **Input 4K2K:** Controls the scaling of 4K sources on Output B.
 - **Pass Through:** Will pass all 4K sources without modification.
 - **Fix Colour YUV 4:2:0:** Will convert 4K@50/60 (4:4:4) sources to the YUV 4:2:0 colour space.
 - **Fix Deep Colour 8 bit:** Will reduce any 4K sources with a bit depth above 8-bit to 8-bit colour.
 - **YUV 4:2:x to RGB:** Will convert any 4K source using the YUV 4:2:2 or 4:2:0 colour space to the RGB colour space.
 - **Fix Colour RGB:** Will convert any 4K source using the YUV colour space to the RGB colour space.

Up 4K2K Scaler Enhancement

- 1) **Gain:** Provides control over the aggressiveness of the digital gain processing when applied to the scaled output image.

EDID
2nd Level
INTERNAL FHD 2CH
Internal FHD 8CH
Internal UHD 2CH
Internal UHD 8CH
Internal UHD+ 2CH
Internal UHD+ 8CH
User
Sink Output A
Sink Output B

1) **EDID:** Select the EDID to use with the HDMI input.

HDCP
2nd Level
HDCP Support Off
Reference to Source
REFERENCE TO DISPLAY

1) **HDCP:** Selects the HDCP logic to use with the HDMI input.

OSD	
2nd Level	3rd Level
Display Information	ON
	Off
OSD Timeout	Off
	5 SEC.
	10 Sec.
	15 Sec.
	20 Sec.
	25 Sec.
	30 Sec.
	35 Sec.
	40 Sec.

- 1) **Display Information:** Enable or disable the informational OSD.
- 2) **OSD Timeout:** Set the length of time to wait before automatically turning off the OSD menu if there is no user interaction. The timer may also be disabled.

TEST PATTERN A	
2nd Level	3rd Level
Mode	OFF
	On
	Auto Pattern
	Auto Timing
Pattern	WHITE Colour
	Red Colour
	Green Colour
	Blue Colour
	Magenta Colour
	Yellow Colour
	Cyan Colour
	Colour Bar
	Ramp
	Toggle
Resolution	720x480p@60
	720x576p@50
	1280x720p@50
	1280x720P@60
	1920x1080p@50
	1920x1080p@60
	3840x2160p@24
	3840x2160p@25
	3840x2160p@30
	4096x2160p@24
	4096x2160p@25
	4096x2160p@30

TEST PATTERN A	
2nd Level	3rd Level
HDCP	DISABLE
	Enable
Switch Time	10 SEC.
	20 Sec.
	30 Sec.
	40 Sec.
	50 Sec.
	1 Min.
	2 Min.
	3 Min.
Auto Timing Select	720×480p@60
	720×576p@50
	1280×720p@50
	1280×720p@60
	1920×1080p@50
	1920×1080p@60
	3840×2160p@24
	3840×2160p@25
	3840×2160p@30
	4096×2160p@24
	4096×2160p@25
	4096×2160p@30

- 1) **Mode:** Enable or disable the test pattern function on Output A.
 - **Auto Pattern:** Will make the test patterns automatically change based on the “Switch Time” setting.

- **Auto Timing:** Will show the selected test pattern and make the output resolution automatically change based on the “Switch Time” setting and the resolutions enabled under “Auto Timing Select”.
- 2) **Pattern:** Selects the test pattern to output.
 - 3) **Resolution:** Selects the output resolution to use.
 - 4) **HDCP:** Enable or disable HDCP while outputting the test pattern.
 - 5) **Switch Time:** Select the length of time between pattern or resolution changes in the “Auto Pattern” and “Auto Timing” modes.
 - 6) **Auto Timing Select:** Select the resolutions to rotate through when the “Auto Timing” mode has been enabled.

TEST PATTERN B	
2nd Level	3rd Level
Mode	OFF
	On
	Auto Pattern
	Auto Timing
Pattern	WHITE Colour
	Red Colour
	Green Colour
	Blue Colour
	Magenta Colour
	Yellow Colour
	Cyan Colour
	Colour Bar
	Ramp
	Toggle
Resolution	720x480p@60
	720x576p@50
	1280x720p@50
	1280x720P@60
	1920x1080p@50
	1920x1080p@60
	3840x2160p@24
Resolution	3840x2160p@25
	3840x2160p@30
	4096x2160p@24
	4096x2160p@25
	4096x2160p@30

TEST PATTERN B	
2nd Level	3rd Level
HDCP	DISABLE
	Enable
Switch Time	10 SEC.
	20 Sec.
	30 Sec.
	40 Sec.
	50 Sec.
	1 Min.
	2 Min.
	3 Min.
	5 Min.
Auto Timing Select	720×480p@60
	720×576p@50
	1280×720p@50
	1280×720p@60
	1920×1080p@50
	1920×1080p@60
	3840×2160p@24
	3840×2160p@25
	3840×2160p@30
	4096×2160p@24
	4096×2160p@25
	4096×2160p@30

- 1) **Mode:** Enable or disable the test pattern function on Output A.
 - **Auto Pattern:** Will make the test patterns automatically change based on the “Switch Time” setting.

- **Auto Timing:** Will show the selected test pattern and make the output resolution automatically change based on the “Switch Time” setting and the resolutions enabled under “Auto Timing Select”.
- 2) **Pattern:** Selects the test pattern to output.
 - 3) **Resolution:** Selects the output resolution to use.
 - 4) **HDCP:** Enable or disable HDCP while outputting the test pattern.
 - 5) **Switch Time:** Select the length of time between pattern or resolution changes in the “Auto Pattern” and “Auto Timing” modes.
 - 6) **Auto Timing Select:** Select the resolutions to rotate through when the “Auto Timing” mode has been enabled.

INFORMATION	
2nd Level	3rd Level
<i>Timing</i>	
Input	[Current Status Details]
Output A	
Output B	
<i>HDCP</i>	
Output A	[Current Status Details]
Output B	
Firmware Version	[Current Firmware Version]

- 1) **INFORMATION:** This screen displays information about the unit’s current state, input and output status, as well as the current firmware version.

FIRMWARE UPDATE	
2nd Level	3rd Level
Are You Sure?	NO
	Yes

- 1) **Firmware Update:** Provides a way to update the unit’s firmware. Insert a USB thumb drive, with a valid firmware file (*.bin format) in the root directory, into the unit’s USB service port then select this option. After the update is complete the unit will automatically reboot.

EDID UPLOAD	
2nd Level	3rd Level
Are You Sure?	NO
	Yes

- 1) **EDID UPLOAD:** Provides a way to upload a previously saved user EDID. Insert a USB thumb drive, with a valid EDID file (*.bin format) in the root directory, into the unit’s USB service port then select this option. After the upload is complete the EDID will be available under the EDID option as “User”.

FACTORY SETTING	
2nd Level	3rd Level
Are You Sure?	NO
	Yes

- 1) **FACTORY SETTING:** Selecting this will reset all of the unit’s settings back to their factory defaults.

6.4 RS-232 Control

Terminal Block In	
Pin	Definition
1	TX
2	RX
3	GND

Terminal Block Out	
Pin	Definition
1	TX
2	RX
3	GND

Controlling PC	
Pin	Definition
1	
2	RxD
3	TxD
4	
5	GND
6	
7	
8	
9	

Serial Port Settings	
Baud Rate	19200
Data Bits	8
Parity Bit	None
Stop Bits	1
Flow Control	None

6.5 RS-232 Commands

COMMAND	
Description and Parameters	
?↵	Show the full command list.
? N1 ↵	Show information about command N1 . N1 = {command} [RS-232 command]
HELP↵	Show the full command list.
HELP N1 ↵	Show information about command N1 . N1 = {command} [RS-232 command]
GET FW VER↵	Show the current firmware version.
GET MODEL NAME↵	Show the unit's model name.
SET FACTORY DEFAULT↵	Reset the unit to the factory defaults.
SET SYSTEM REBOOT↵	Reboot the unit.

COMMAND	
Description and Parameters	
SET UART 1 BAUDRATE N1 ↵	
Set the RS-232 baud rate to N1 .	
Available values for N1 :	
4800	[4800 baud]
9600	[9600 baud]
19200	[19200 baud]
38400	[38400 baud]
57600	[57600 baud]
115200	[115200 baud]
GET UART 1 BAUDRATE ↵	
Show the current RS-232 baud rate.	
SET UART 1 STOP BIT N1 ↵	
Set the RS-232 stop bits to N1 .	
N1 = 1 ~ 2	[Stop bits]
GET UART 1 STOP BIT ↵	
Show the current RS-232 stop bits.	
SET UART 1 DATA BIT N1 ↵	
Set the RS-232 data bits to N1 .	
N1 = 5 ~ 8	[Data bits]
GET UART 1 DATA BIT ↵	
Show the current RS-232 data bits.	
SET UART 1 PARITY N1 ↵	
Set the RS-232 parity value.	
Available values for N1 :	
0	[None]
1	[Odd]
2	[Even]

COMMAND	
Description and Parameters	
GET UART 1 PARITY ↵	
	Show the current RS-232 parity value.
SET IN 1 NAME N1 ↵	
	Set the text name for the Input.
N1 = {Name string}	[Input name]
GET IN 1 NAME ↵	
	Show the Input's current text name.
SET OUT N1 NAME N2 ↵	
	Set the text name for Output N1 .
N1 = A ~ B	[Output port]
N2 = {Name string}	[Output name]
GET OUT N1 NAME ↵	
	Show the current text name for Output N1 .
N1 = A ~ B	[Output port]
GET IN NAME LIST ↵	
	Show all Input text names.
GET OUT NAME LIST ↵	
	Show all Output text names.
GET IN 1 HACTIVE ↵	
	Show the current number of horizontal active pixels from the source on the Input.
GET IN 1 VACTIVE ↵	
	Show the current number of vertical active pixels from the source on the Input.

COMMAND	
Description and Parameters	
GET IN 1 REFRESH RATE ↵	
	Show the current refresh rate of the source on the Input.
GET IN 1 INTERLACE ↵	
	Show the current interlace state of the source on the Input.
GET IN 1 SYNC STATUS ↵	
	Show the current sync status of the source on the Input.
SET IN 1 EDID N1 ↵	
	Set the EDID to use with the Input.
	Available values for N1 :
1	[FHD 2CH]
2	[FHD MCH]
3	[UHD 2CH]
4	[UHD MCH]
5	[UHD+ 2CH]
6	[UHD+ MCH]
7	[User 1]
8	[Sink A]
9	[Sink B]
GET IN 1 EDID ↵	
	Show the currently selected EDID used by the Input.
GET EDID LIST ↵	
	List all available EDID selections.
SET USER 1 EDID DATA N1 ↵	
	Upload a new User EDID in HEX format.
	N1 = {EDID data in hh, hh, hh, hh, ... HEX pair format}
GET USER 1 EDID DATA ↵	
	Show the Current User EDID as HEX data.

COMMAND	
Description and Parameters	
GET SINK N1 EDID DATA ←	
Show the EDID from Output N1 as HEX data.	
N1 = A ~ B	[Output port]
GET IN 1 EDID DATA ←	
Show the EDID currently used by the input as HEX data.	
GET INTERNAL N1 EDID DATA ←	
Show Internal EDID N1 as HEX data.	
N1 = 1 ~ 6	[Internal EDID number]
SET IN 1 HDCP MODE N1 ←	
Set the unit's HDCP behavior.	
Available values for N1 :	
0	[Disable HDCP]
1	[Follow source]
2	[Follow display]
GET IN 1 HDCP MODE ←	
Show the unit's current HDCP behavior setting.	
GET IN 1 HDCP STATUS ←	
Show the current status of HDCP on the Input.	
Available responses:	
0	[No HDCP]
1	[HDCP 1.x]
2	[HDCP 2.2]

COMMAND	
Description and Parameters	
GET OUT N1 HDCP STATUS ↵	
Show the current status of HDCP on Output N1 .	
N1 = A ~ B	[Output port]
Available responses:	
0	[No HDCP]
1	[HDCP 1.x]
2	[HDCP 2.2]
3	[HDCP 1.x failed]
4	[HDCP 2.x failed]
GET OUT N1 HDCP ABILITY ↵	
Show the detected HDCP capability of Output N1 .	
N1 = A ~ B	[Output port]
Available responses:	
0	[No HDCP support]
1	[HDCP 1.x only]
2	[HDCP 2.2 only]
3	[HDCP 1.x + 2.2]
GET IN 1 HDCP ABILITY ↵	
Show the detected HDCP capability of the Input.	
Available responses:	
0	[No HDCP support]
1	[HDCP 1.x only]
2	[HDCP 2.2 only]
3	[HDCP 1.x + 2.2]
GET AUTOMATION EVENT LIST ↵	
List all available automation event types.	

COMMAND											
Description and Parameters											
SET AUTOMATION EVENT N1 UART A N2 ←											
<p>Enable or disable RS-232 automation event type N1.</p> <p>Available values for N1:</p> <table> <tr> <td>1</td> <td>[Power on]</td> </tr> <tr> <td>2</td> <td>[Out A sync active]</td> </tr> <tr> <td>3</td> <td>[Out A sync lost]</td> </tr> <tr> <td>4</td> <td>[Out B sync active]</td> </tr> <tr> <td>5</td> <td>[Out B sync lost]</td> </tr> </table> <p>N2 = ON, OFF [Enable/Disable event type]</p>		1	[Power on]	2	[Out A sync active]	3	[Out A sync lost]	4	[Out B sync active]	5	[Out B sync lost]
1	[Power on]										
2	[Out A sync active]										
3	[Out A sync lost]										
4	[Out B sync active]										
5	[Out B sync lost]										
GET AUTOMATION EVENT N1 UART A ←											
<p>Show the current state of RS-232 automation event type N1.</p> <p>Available values for N1:</p> <table> <tr> <td>1</td> <td>[Power on]</td> </tr> <tr> <td>2</td> <td>[Out A sync active]</td> </tr> <tr> <td>3</td> <td>[Out A sync lost]</td> </tr> <tr> <td>4</td> <td>[Out B sync active]</td> </tr> <tr> <td>5</td> <td>[Out B sync lost]</td> </tr> </table>		1	[Power on]	2	[Out A sync active]	3	[Out A sync lost]	4	[Out B sync active]	5	[Out B sync lost]
1	[Power on]										
2	[Out A sync active]										
3	[Out A sync lost]										
4	[Out B sync active]										
5	[Out B sync lost]										
SET AUTOMATION EVENT N1 UART A COMMAND N2 ←											
<p>Set the RS-232 command to send when automation event N1 is triggered.</p> <p>Available values for N1:</p> <table> <tr> <td>1</td> <td>[Power on]</td> </tr> <tr> <td>2</td> <td>[Out A sync active]</td> </tr> <tr> <td>3</td> <td>[Out A sync lost]</td> </tr> <tr> <td>4</td> <td>[Out B sync active]</td> </tr> <tr> <td>5</td> <td>[Out B sync lost]</td> </tr> </table> <p>N2 = {Command} [Command to send]</p>		1	[Power on]	2	[Out A sync active]	3	[Out A sync lost]	4	[Out B sync active]	5	[Out B sync lost]
1	[Power on]										
2	[Out A sync active]										
3	[Out A sync lost]										
4	[Out B sync active]										
5	[Out B sync lost]										

COMMAND											
Description and Parameters											
GET AUTOMATION EVENT N1 UART A COMMAND ↵											
<p>Show the currently defined RS-232 command to send when automation event N1 is triggered.</p> <p>Available values for N1:</p> <table border="0"> <tr> <td>1</td> <td>[Power on]</td> </tr> <tr> <td>2</td> <td>[Out A sync active]</td> </tr> <tr> <td>3</td> <td>[Out A sync lost]</td> </tr> <tr> <td>4</td> <td>[Out B sync active]</td> </tr> <tr> <td>5</td> <td>[Out B sync lost]</td> </tr> </table>		1	[Power on]	2	[Out A sync active]	3	[Out A sync lost]	4	[Out B sync active]	5	[Out B sync lost]
1	[Power on]										
2	[Out A sync active]										
3	[Out A sync lost]										
4	[Out B sync active]										
5	[Out B sync lost]										
SET AUTOMATION EVENT N1 UART A DELAY N2 SEC ↵											
<p>Set the delay (in seconds) to wait before triggering RS-232 automation event N1.</p> <p>Available values for N1:</p> <table border="0"> <tr> <td>1</td> <td>[Power on]</td> </tr> <tr> <td>2</td> <td>[Out A sync active]</td> </tr> <tr> <td>3</td> <td>[Out A sync lost]</td> </tr> <tr> <td>4</td> <td>[Out B sync active]</td> </tr> <tr> <td>5</td> <td>[Out B sync lost]</td> </tr> </table> <p>N2 = 0 ~ 240 [Delay in seconds]</p>		1	[Power on]	2	[Out A sync active]	3	[Out A sync lost]	4	[Out B sync active]	5	[Out B sync lost]
1	[Power on]										
2	[Out A sync active]										
3	[Out A sync lost]										
4	[Out B sync active]										
5	[Out B sync lost]										
GET AUTOMATION EVENT N1 UART A DELAY ↵											
<p>Show the currently set delay (in seconds) to wait before triggering RS-232 automation event N1.</p> <p>Available values for N1:</p> <table border="0"> <tr> <td>1</td> <td>[Power on]</td> </tr> <tr> <td>2</td> <td>[Out A sync active]</td> </tr> <tr> <td>3</td> <td>[Out A sync lost]</td> </tr> <tr> <td>4</td> <td>[Out B sync active]</td> </tr> <tr> <td>5</td> <td>[Out B sync lost]</td> </tr> </table>		1	[Power on]	2	[Out A sync active]	3	[Out A sync lost]	4	[Out B sync active]	5	[Out B sync lost]
1	[Power on]										
2	[Out A sync active]										
3	[Out A sync lost]										
4	[Out B sync active]										
5	[Out B sync lost]										

COMMAND	
Description and Parameters	
SET AUTOMATION EVENT N1 UART A WAIT N2 SEC ↵	
Set the wait time (in seconds) before sending a command after RS-232 automation event N1 is triggered.	
Available values for N1 :	
1	[Power on]
2	[Out A sync active]
3	[Out A sync lost]
4	[Out B sync active]
5	[Out B sync lost]
N2 = 0 ~ 240	[Wait time in seconds]
GET AUTOMATION EVENT N1 UART A WAIT ↵	
Show the currently set wait time (in seconds) observed before sending a command after RS-232 automation event N1 is triggered.	
Available values for N1 :	
1	[Power on]
2	[Out A sync active]
3	[Out A sync lost]
4	[Out B sync active]
5	[Out B sync lost]
GET AUTOMATION EVENT CEC COMMAND LIST ↵	
List all available CEC commands for use with automation events.	

COMMAND											
Description and Parameters											
SET AUTOMATION EVENT N1 CEC N2 N3 ←											
<p>Enable or disable CEC automation event type N1.</p> <p>Available values for N1:</p> <table> <tr> <td>1</td> <td>[Power on]</td> </tr> <tr> <td>2</td> <td>[Out A sync active]</td> </tr> <tr> <td>3</td> <td>[Out A sync lost]</td> </tr> <tr> <td>4</td> <td>[Out B sync active]</td> </tr> <tr> <td>5</td> <td>[Out B sync lost]</td> </tr> </table> <p>N2 = A ~ B [Target output port]</p> <p>N3 = ON, OFF [Enable/Disable event type]</p>		1	[Power on]	2	[Out A sync active]	3	[Out A sync lost]	4	[Out B sync active]	5	[Out B sync lost]
1	[Power on]										
2	[Out A sync active]										
3	[Out A sync lost]										
4	[Out B sync active]										
5	[Out B sync lost]										
GET AUTOMATION EVENT N1 CEC N2 ←											
<p>Show the current state of CEC automation event type N1.</p> <p>Available values for N1:</p> <table> <tr> <td>1</td> <td>[Power on]</td> </tr> <tr> <td>2</td> <td>[Out A sync active]</td> </tr> <tr> <td>3</td> <td>[Out A sync lost]</td> </tr> <tr> <td>4</td> <td>[Out B sync active]</td> </tr> <tr> <td>5</td> <td>[Out B sync lost]</td> </tr> </table> <p>N2 = A ~ B [Target output port]</p>		1	[Power on]	2	[Out A sync active]	3	[Out A sync lost]	4	[Out B sync active]	5	[Out B sync lost]
1	[Power on]										
2	[Out A sync active]										
3	[Out A sync lost]										
4	[Out B sync active]										
5	[Out B sync lost]										

COMMAND

Description and Parameters

SET AUTOMATION EVENT N1 CEC N2 COMMAND N3↵

Set the CEC command to send when automation event **N1** is triggered.

Available values for **N1**:

1	[Power on]
2	[Out A sync active]
3	[Out A sync lost]
4	[Out B sync active]
5	[Out B sync lost]

N2 = A ~ B [Target output port]

Available values for **N3**:

0	[TV power off]
1	[TV power on]

GET AUTOMATION EVENT N1 CEC N2 COMMAND↵

Show the currently defined CEC command to send when automation event **N1** is triggered.

Available values for **N1**:

1	[Power on]
2	[Out A sync active]
3	[Out A sync lost]
4	[Out B sync active]
5	[Out B sync lost]

N2 = A ~ B [Target output port]

COMMAND

Description and Parameters

SET AUTOMATION EVENT N1 CEC N2 DELAY N3 SEC ←

Set the delay (in seconds) to wait before triggering CEC automation event **N1**.

Available values for **N1**:

1	[Power on]
2	[Out A sync active]
3	[Out A sync lost]
4	[Out B sync active]
5	[Out B sync lost]
N2 = A ~ B	[Target output port]
N3 = 0 ~ 240	[Delay in seconds]

GET AUTOMATION EVENT N1 CEC N2 DELAY ←

Show the currently set delay (in seconds) to wait before triggering CEC automation event **N1**.

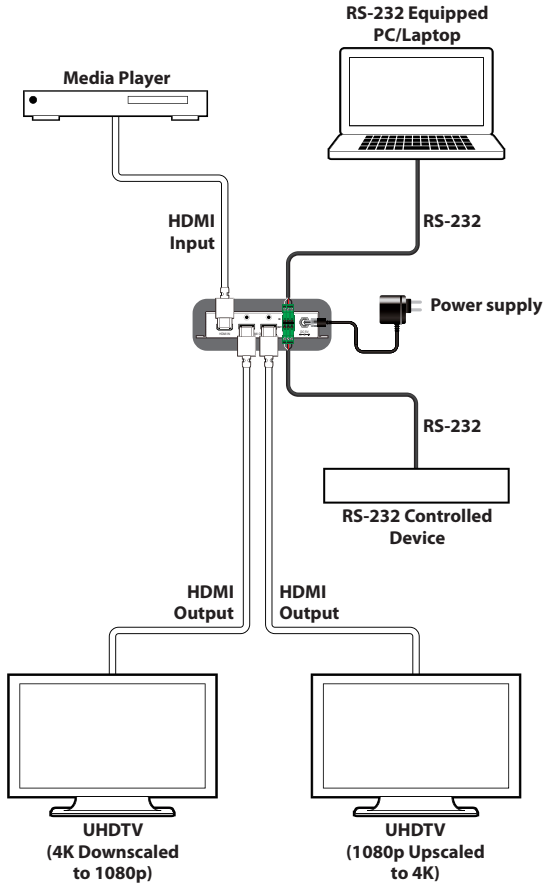
Available values for **N1**:

1	[Power on]
2	[Out A sync active]
3	[Out A sync lost]
4	[Out B sync active]
5	[Out B sync lost]
N2 = A ~ B	[Target output port]

COMMAND	
Description and Parameters	
SET AUTOMATION EVENT N1 CEC N2 WAIT N3 SEC↵	
Set the wait time (in seconds) before sending a command after CEC automation event N1 is triggered.	
Available values for N1 :	
1	[Power on]
2	[Out A sync active]
3	[Out A sync lost]
4	[Out B sync active]
5	[Out B sync lost]
N2 = A ~ B	[Target output port]
N3 = 0 ~ 240	[Wait time in seconds]
GET AUTOMATION EVENT N1 CEC N2 WAIT↵	
Show the currently set wait time (in seconds) observed before sending a command after CEC automation event N1 is triggered.	
Available values for N1 :	
1	[Power on]
2	[Out A sync active]
3	[Out A sync lost]
4	[Out B sync active]
5	[Out B sync lost]
N2 = A ~ B	[Target output port]

Note: Commands will not be executed unless followed by a carriage return. Commands are not case-sensitive.

7. CONNECTION DIAGRAM



8. SPECIFICATIONS

8.1 Technical Specifications

HDMI Bandwidth	600MHz/18Gbps
Input Port	1×HDMI
Output Ports	2×HDMI
Control Ports	2×RS-232 (3-pin Terminal Blocks)
Baud Rate	Up to 115200bps
Power Supply	5V/2.6A DC (US/EU standards, CE/FCC/UL certified)
ESD Protection	Human Body Model: ±8kV (Air Discharge) ±4kV (Contact Discharge)
Dimensions	128mm×25mm×75mm (W×H×D) [Case Only] 128mm×25mm×83mm (W×H×D) [All Inclusive]
Weight	272g
Chassis Material	Metal
Silkscreen Colour	Black
Operating Temperature	0 °C–40 °C/32 °F–104 °F
Storage Temperature	-20 °C–60 °C/-4 °F–140 °F
Relative Humidity	20–90% RH (Non-condensing)
Power Consumption	4.3W

8.2 Video Specifications

8.2.1 Supported Resolutions

Supported PC Resolution (Hz)		HDMI Input	HDMI Output
800×600	56/60/72/75/85	✓	✓
1024×768	60/70/75/85	✓	✓
1280×768	60/75	✓	✓
1280×800	60/75	✓	✓
1280×1024	60/75	✓	✓
1366×768	60	✓	✓
1400×1050	60/75	✓	✓
1440×900	60/75	✓	✓
1600×900	60	✓	✓
1600×1200	60	✓	✓
1680×1050	60	✓	✓
1920×1200	60	✓	✓

Supported TV Resolution (Hz)		HDMI Input	HDMI Output
640×480i	60	✓	✓
640×480p	60	✓	✓
720×480p	60	✓	✓
720×576i	50	✓	✓
720×576p	50	✓	✓
1280×720p	50/60	✓	✓
1920×1080i	50/60	✓	✓
1920×1080p	24/25/30/50/60	✓	✓
3840×2160p	24/25/30/50/60	✓	✓
4096×2160p	24/25/30/50/60	✓	✓

8.2.2 4K Conversion Rules

DOWN 1080P	
Input Resolution (Hz)	Output Resolution (Hz)
3840×2160p@24	→ 1920×1080p@24
3840×2160p@25	→ 1920×1080p@25
3840×2160p@30	→ 1920×1080p@30
3840×2160p@50	→ 1920×1080p@50
3840×2160p@60	→ 1920×1080p@60
4096×2160p@24	→ 1920×1080p@24
4096×2160p@25	→ 1920×1080p@25
4096×2160p@30	→ 1920×1080p@30
4096×2160p@50	→ 1920×1080p@50
4096×2160p@60	→ 1920×1080p@60

UP 4K2K	
Input Resolution (Hz)	Output Resolution (Hz)
1920×1080p@24	→ 3840×2160p@24
1920×1080p@25	→ 3840×2160p@25
1920×1080p@30	→ 3840×2160p@30
1920×1080p@50	→ 3840×2160p@50
1920×1080p@60	→ 3840×2160p@60

UP 4K2K (YUV 420)	
Input Resolution (Hz)	Output Resolution (Hz)
RGB & YCbCr 4:4:4/4:2:2	YCbCr 4:2:0
1920×1080p@50	→ 3840×2160p@50
1920×1080p@60	→ 3840×2160p@60

FIX 4K2K	
Input Resolution (Hz)	Output Resolution (Hz)
RGB & YCbCr 4:4:4/4:2:2	YCbCr 4:2:0
3840×2160p@50	→ 3840×2160p@50
3840×2160p@60	→ 3840×2160p@60
4096×2160p@50	→ 4096×2160p@50
4096×2160p@60	→ 4096×2160p@60

FIX 8 BITS	
Input Resolution (Hz)	Output Resolution (Hz)
RGB & YCbCr 4:4:4/4:2:2, 10/12/16-bit	RGB & YCbCr 4:4:4/4:2:2, 8-bit
3840×2160p@24	→ 3840×2160p@24
3840×2160p@25	→ 3840×2160p@25
3840×2160p@30	→ 3840×2160p@30
4096×2160p@24	→ 4096×2160p@24
4096×2160p@25	→ 4096×2160p@25
4096×2160p@30	→ 4096×2160p@30
YCbCr 4:2:0, 10/12/16-bit	YCbCr 4:2:0, 8-bit
3840×2160p@50	→ 3840×2160p@50
3840×2160p@60	→ 3840×2160p@60
4096×2160p@50	→ 4096×2160p@50
4096×2160p@60	→ 4096×2160p@60

8.3 Audio Specifications

Digital (HDMI) Input	
Sampling Rate (kHz)	32, 44.1, 48, 88.2, 96, 176.4, 192

Digital (HDMI) Output	
Sampling Rate (kHz)	32, 44.1, 48, 88.2, 96, 176.4, 192

8.4 Cable Specifications

HDMI Cable Length	1080p@60Hz		4K@30Hz	4K@60Hz
	8-bit	12-bit	8-bit	8-bit
Input	15m	10m	5m	3m
Output	15m	10m	5m	3m

9. ACRONYMS

ACRONYM	COMPLETE TERM
CEC	Consumer Electronics Control
DVI	Digital Visual Interface
EDID	Extended Display Identification Data
HD	High-Definition
HDCP	High-bandwidth Digital Content Protection
HDMI	High-Definition Multimedia Interface
HDR	High Dynamic Range
HDTV	High-Definition Television
LPCM	Linear Pulse-Code Modulation
OSD	On-Screen Display
PC	Personal Computer
UHD	Ultra-High-Definition
UHDTV	Ultra-High-Definition Television
USB	Universal Serial Bus
VGA	Video Graphics Array
WUXGA (RB)	Widescreen Ultra Extended Graphics Array (Reduced Blanking)